



LFS

DESIGN FEATURES

The R-K LFS series liquid level float switch is a compact device ideal for maintaining liquid levels in tanks by activating relays or solenoids which can open or close a valve, sound high or low level alarms, turn heaters and pumps on or off or to light panel mounted indicator lights. It can also be mounted near the bottom of a drum to signal when it is nearly empty.

The CPVC stem houses a 1 amp 115 VAC reed switch and the polypropylene float is suitable for temperatures to 180°F. 12" extensions with couplings allow this versatile device to be used in most any size tank. Longer extensions are also available. A CPVC mounting bracket is available for easy mounting. Other materials available for higher temperature service.

LIQUID LEVEL FLOAT SWITCH

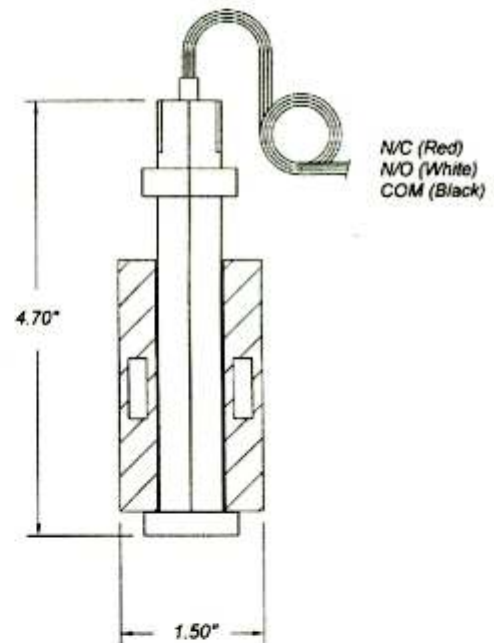
SPECIFICATIONS

Temperature Range	0 F to 140 F for PVC
	0 F to 180 F for POLYPRO
	0 F to 280 F for PVDF
	0 F to 340 F for TEFLON
Electric switch	1 Amp, 115 VAC UL
Material	CPVC
	Polypropylene

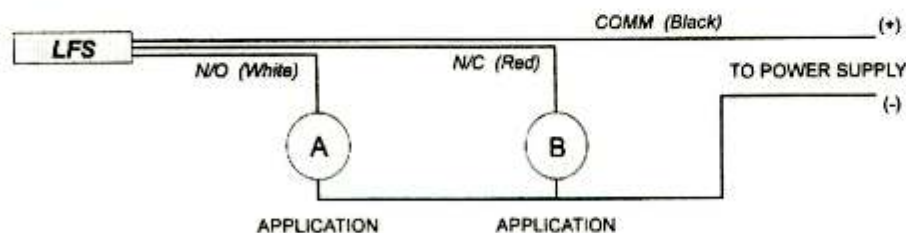
ORDER INFORMATION

LFS - 005	Liquid Level Switch
LMB - 007	Mounting bracket
LEX - 012	12" Extension with coupling

For other materials or special application, please consult the factory for price and delivery information.



INSTALLATION DIAGRAM



NOTES

NORMALLY OPEN
Use WHITE and BLACK leads
Tape or cut off the RED

NORMALLY CLOSED
Use RED and BLACK leads
Tape or cut off the WHITE

Use BOTH N/O and N/C
WHITE is N/O; RED is N/C
BLACK is COMMON
(See Diagram)

R-K INDUSTRIES



1120 E. LOCUST STREET
ONTARIO, CA 91761

(909) 947-5227 • FAX: (909) 947-3038 • <http://www.rkvalve.com>