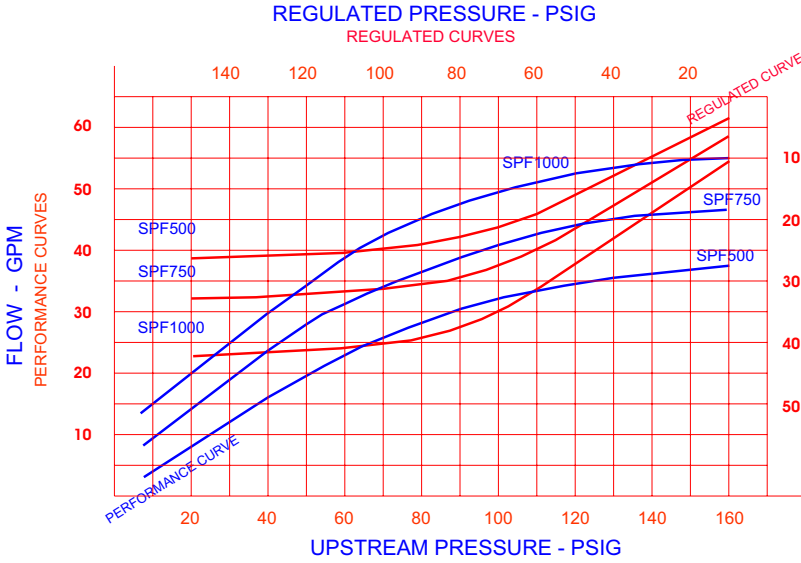


ENGINEERING & PERFORMANCE DATA



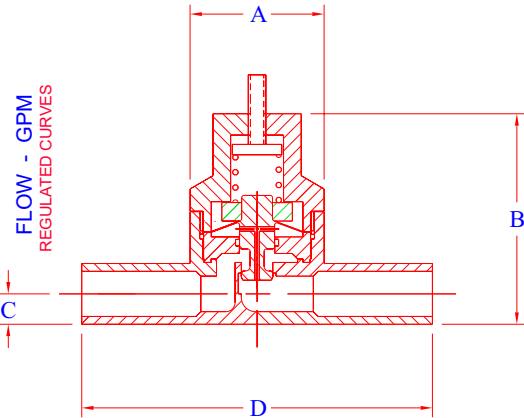
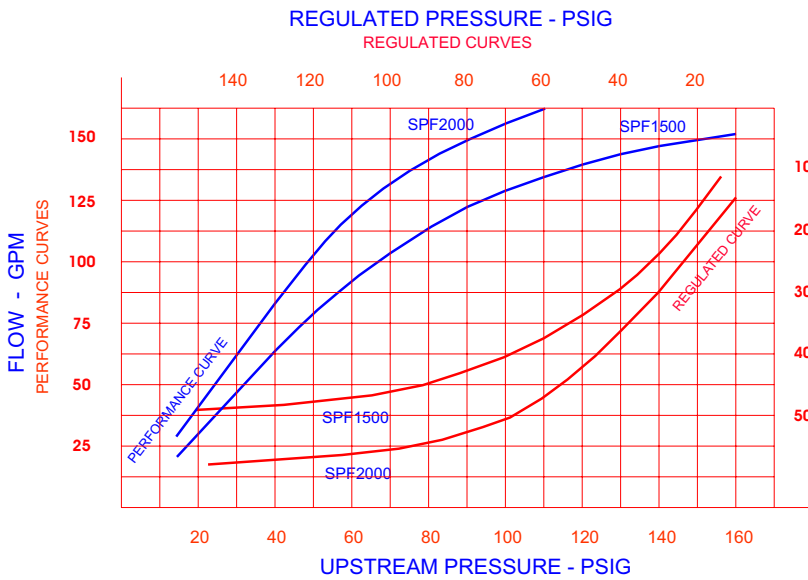
NOTES

PERFORMANCE CURVES SHOW THE FLOW RATE OF SPF VALVES WITH POPPET SEAL FULLY OPEN. REGULATED CURVES SHOW THE FLOW RATE OF SPF VALVES AT THE POINTS OF PRE-SET DOWNSTREAM PRESSURE

TEST DATA WAS PERFORMED WITH 68 DEGREE F WATER, AND 150 MAXIMUM PRESSURE.

THESE PERFORMANCE CURVES WILL BE CHANGED WITH HIGHER VISCOSITY LIQUID, SYSTEM CONDITION, AND/OR HIGHER TEMPERATURE.

CONSULT YOUR LOCAL SALES REP. OR MANUFACTURER DIRECTLY FOR CUSTOM PRODUCTS OR SPECIAL APPLICATIONS.



DIMENSIONAL DATA

Dim Unit = Inches

Valve size	Ports type	A	B	C	Cv	D
1/2" Molded	Flare/Fuse	1.90	3.50	.43	2.64	4.90/4.27
1/2"	FNPT	2.50	3.85	.65	2.64	
3/4"	FNPT	3.00	4.65	.75	2.92	
1.0"	FNPT	3.50	6.30	.98	3.87	
1.5"	MPT	4.00	7.18	1.25	16.93*	
2.0"	MPT	5.00	7.75	1.62	22.41*	

(*) Cv value @ 150 GPM

